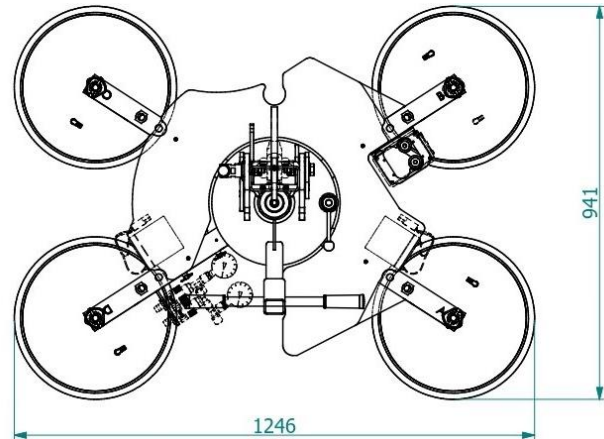
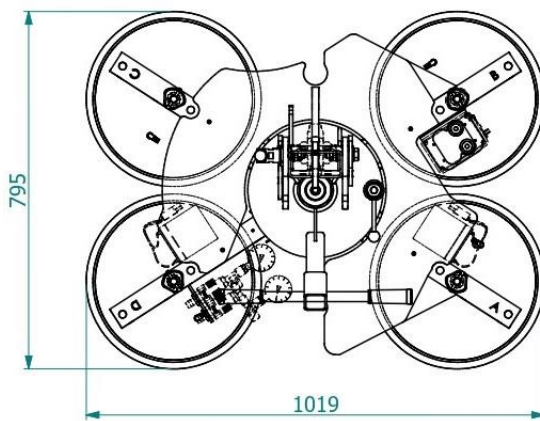


Technical drawing



Technical specification

Application	Glass panels
Lifting capacity	Max 600 kg
Suction pads	No. 4 round suction pads diameter 390 mm Lipped pads with safety ring
Pad spread	Repositionable pads in two positions: mm 1019 x 795 / 1246 x 941
Load movement	Continuous 360 degree rotation, with possibility of automatic locking at each 90° 90 degree tilt, with possibility of automatic locking in upright and flat position
Operating system	DC vacuum pump powered from on-board batteries High capacity re-chargeable batteries Battery status indicator Economizer for reduction of the energy consumption
Vacuum system	2 independent vacuum circuits, each vacuum circuit with vacuum reserve and non return valve
Weight of lifter	Kg 79
Structural depth	mm 250
Control	Manual on off valve on the lifter's frame Release of the load by dual action security command Remote control as optional
Standard features	Audible and visual low vacuum warning devices Vacuum gauge for each vacuum circuit Battery charger 240 Volt Vacuum filter Multi position hook connection Lowered suspension for installing of transom window