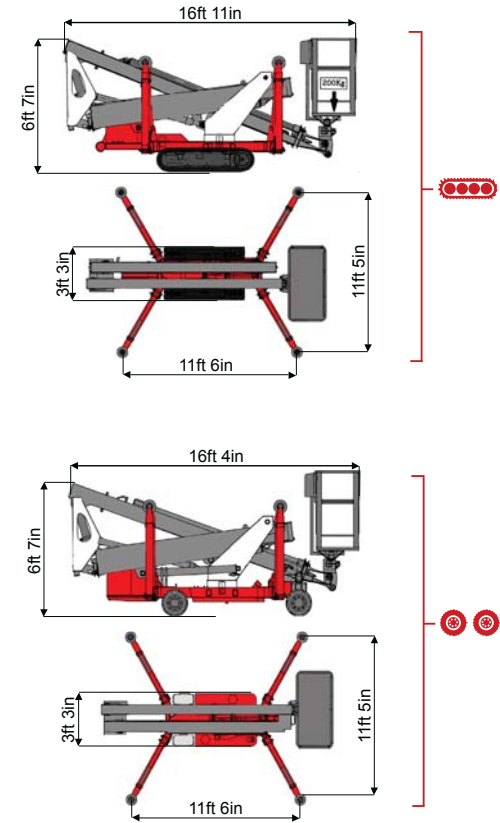
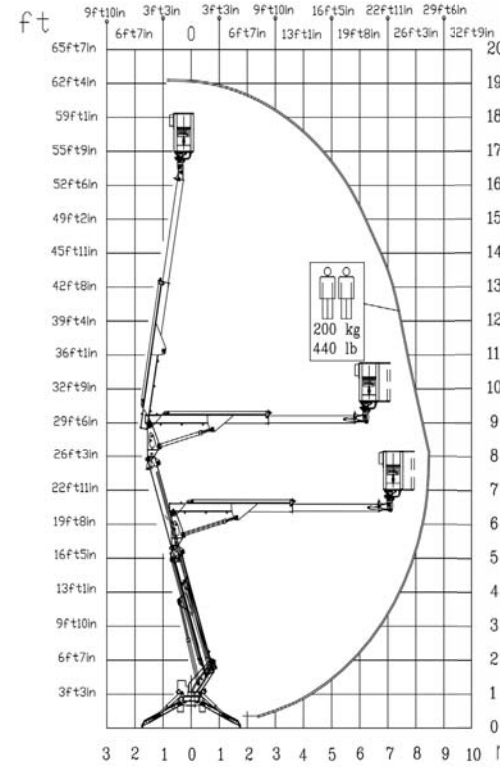




**62ft 4in** ↑  
**27ft 11in** →  
**440 lb** 👤 👤



BI-ENERGY Diesel+AC																	
<b>TZX 620/C</b>																	
<b>TZX 620/R</b>																	

ECO							
<b>ECO</b>	<b>DC+AC</b>						
		24V 240 A/h 5h	230V-24V 40A	510 lb	3-4 h endless	6h	24V 5.5 kW



COMPANY WITH  
QUALITY SYSTEM  
CERTIFIED BY DNV GL  
= ISO 9001 =